



Pressure Switches
Model:D500/8D

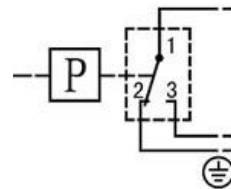
The Sensor of Switch is Diaphragm type, it can be suitable for air, gas such neutral gas and water, hydraulic oil, light fuel, lube and other fluid medium which would not exert corrosion to pressure sensor material. The Set Point of the Switch is adjustable, the adjustable range is from 0.02 MPa to 3MPa.



□ **Main Technical Performance**

Working viscosity: $1 \times 10^{-3} \text{m}^2/\text{s}$
Switching element: Micro-switches
Protection Class: IP65
Ambient temperature: -5~40°C
Fluid temperature: 0~90°C
Vibrations: Max: 100m/s²
Repeatability: ≤1.5%
Electrical rating: AC 220V 6A

Switching Function:
Micro-switch SPDT



Terminals 1-3:
Contacts close on rising pressure
Terminals 1-2:
Contacts open on rising pressure

□ **Features**

Mini Structure, good Anti-vibration

□ **Characteristic date**

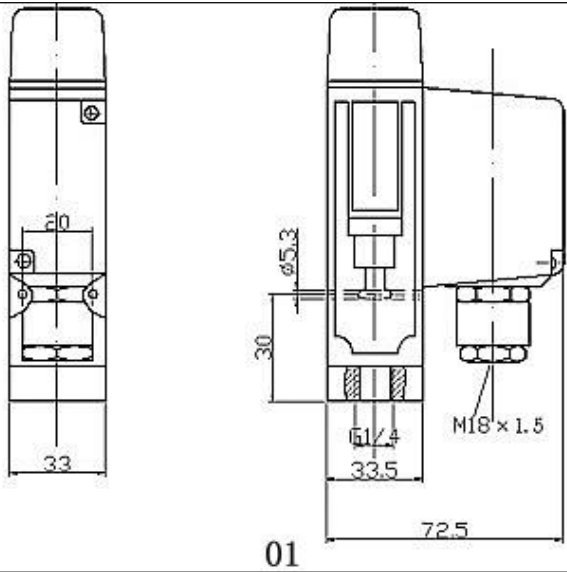
Adjustable Range MPa	Switching pressure difference		Max. Allowable Pressure ¹⁾ MPa	Number of switching cycles Z(1/min)	Pressure sensor materials		Connection Type ²⁾	Connection (internal thread)	Weight (kg)	Drawing No.	Cat.No.	
	Lower range MPa	Upper range MPa			Housing	Diaphragm /Seal						
Switching pressure difference not adjustable / Setscrew protected by plastic cover												
0.02...1.2	0.09	0.14	5	60	AL	NBR	I	G1/4"	0.4	01	0820150	
0.05...3	0.1	0.2	5	60			I	G1/4"	0.4	01		0820750
0.02...1.2	0.09	0.14	5	60			P	-	-	0.4	02	0820250
0.05...3	0.1	0.2	5	60			P	-	-	0.4	02	0820850
Switching pressure difference not adjustable / With scaled rotary button												
0.02...1.2	0.09	0.14	5	60	AL	NBR	I	G1/4"	0.45	03	0820160	
0.05...3	0.1	0.2	5	60			I	G1/4"	0.45	03	0820760	

Notes: ¹⁾ Even shot pressure peaks must not exceed this value (=max.test pressure)

²⁾ I-Internal thread P-Flange

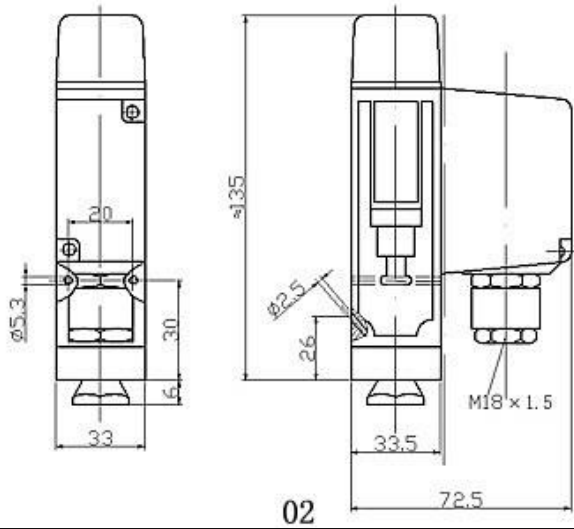
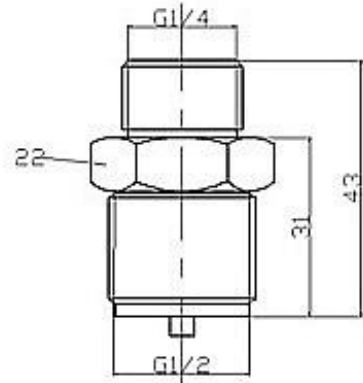


□ Dimensional drawing

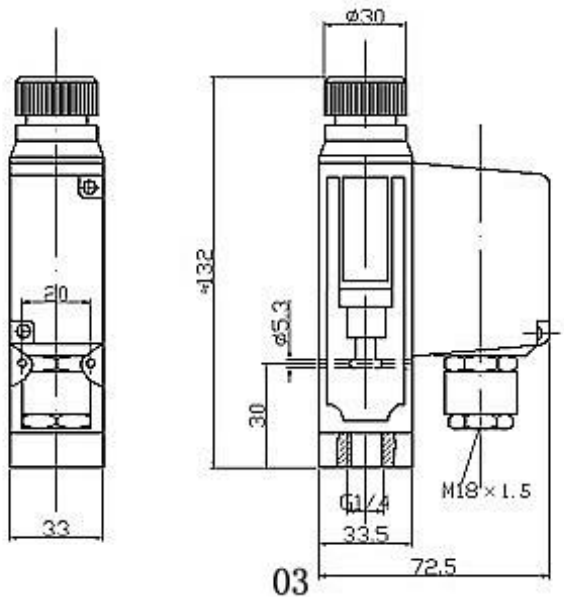
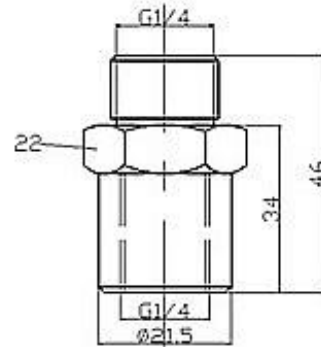


□ Accessories

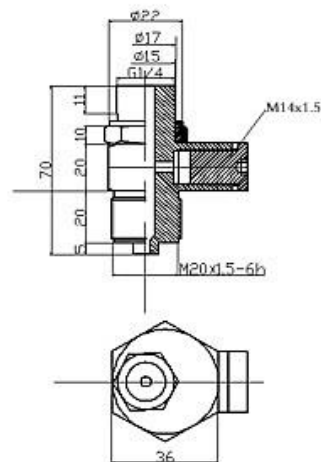
Reducer G1/2 to G1/4 external thread
Cat. No. 0574767



Surge damper G1/4
Cat. No. 0574773



Three-way-connection
Screw-off the bolt, pressure gauge with $\Phi 60$
can be directly connected
Cat. No. SC5 470 505





Switch selection and mounting instructions

The switching points should normally be in about the middle of the adjustable range. Observe switching pressure during normal operation. Do not exceed electrical ratings. Electrical connection by a M18x1.5 cable gland, in accordance with local regulations. For outdoor installation sufficient protection has to be provided for Critical conditions are: Aggressiveness of air, high or low temperatures, drastic changes in temperature, solar radiation, penetration of water. For liquid media with pressure peaks and /or pulsating pressure, install surge damper upstream to eliminate scattering of switching points and excessive wear.

Setting of switching points

Versions with adjustment by screw with hex. Recessed hole :

Loosen check nut, then set lower switching point. The upper switching point is determined by the fixed switching pressure difference.

Versions with adjustment by scaled rotary button:
Loosen slot bolt, then set lower switching point. The upper switching point is determined by the fixed switching pressure difference.

Turning the setting device clockwise shifts switching points upwards.

Use pressure gauge for precise setting (a pressure switch – even if provided with a scale – is not a measuring instrument). Switches can be adjusted even during operation. Depending on the design, setting can be arrested by either check nut or slot bolt.

