



## Pressure Switches (Explosion-proof type)

### Model: D504/7D D504/7DK (EX)

The sensor is piston type, and is suitable for Neutral Hydraulic Oil medium. The setting point is adjustable, and the range is from 0.3 to 40MPa.



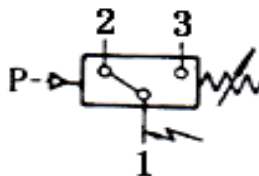
上海远仪控制器厂有限公司

Tel: (021)56325599 56983311 69927271

Fax: 69927273 <http://www.shyuanyi.com>

### □ Main Technical Performance

**Switching element:** Micro-switches  
**Protection Class:** IP65 (in line with DIN4005)  
**Ambient temperature:** -5°C ~ +50°C  
**Fluid temperature:** 0 ~ 100°C  
**Mounting position:** Vertical down (a slope of 15° is allowed)  
**Vibrations:** D504/7D: 40m/s<sup>2</sup>;  
 D504/7DK: 20m/s<sup>2</sup>  
**Repeatability:** ≤1.5%  
**Electrical rating:** AC 220V 6A



**Switching Function:**

**Microswitch SPDT**

**Terminals 1-3: Contacts**

**close on rising pressure**

**Terminals 1-2: Contacts**

**open on rising pressure**

### □ Features

especially suitable for Hydraulic Equipment

### □ Characteristic data

#### ● Switching pressure difference no adjustable

Type	Adjustable Range MPa	Switching pressure difference		Max. Allowable Pressure *MPa	Number of switching cycles Z(1/min)	Pressure sensor materials		Connection (internal thread)	Total Weight kg	Dimensional Drawing No.		Cat No.	
		Lower range MPa	Upper range MPa			Housing	piston			General Type	proof type	General Type	proof type
D504/7D	0.3□4 0.3□6.3	0.2	0.4	16	30	brass	steel	G1/4"	0.9 0.9	01	02	0817200	0857280
		0.3	0.6	16				G1/4"				0817300	0857380
	0.5□10 0.5□16	0.4	0.9	30				G1/4"	0.9 0.9	01	02	0817400	0857480
		0.6	1.2	30				G1/4"				0817500	0857580
	1□25 1□40	0.8	2	80				G1/4"	0.9 0.9	01	02	0817600	0857680
		0.9	2.2	80				G1/4"				0817700	0857780

#### ● Switching pressure difference adjustable

Type	Adjustable Range MPa	Switching pressure difference		Max. Allowable Pressure *MPa	Number of switching cycles Z(1/min)	Pressure sensor materials		Connection (internal thread)	Total Weight kg	Dimensional Drawing No.		Cat No.	
		Lower range MPa	Upper Range MPa			Housing	Piston			General Type	proof type	General Type	proof type
D504/7D	0.3□4 0.3□6.3	0.4□2	0.6□2	16	30	brass	steel	G1/4"	0.95	01	02	0807200	0847280
		0.4□5	0.8□5	16				G1/4"				0807300	0847380
	0.5□10 0.5□16	0.7□8	1.2□8	30				G1/4"	0.95	01	02	0807400	0847480
		1□12	1.6□12	30				G1/4"				0807500	0847580
	1□25 1□40	1.7□20	2.6□20	80				G1/4"	0.95	01	02	0807600	0847680
		2□30	3.5□30	80				G1/4"				0807700	0847780

#### ● Switching pressure difference no adjustable (small pressure difference) no proof type

地址: 上海市嘉定区南翔镇顺达路300弄46号  
 电话: (021) 56325599 56983311 69927271  
 传真: (021) 69927273  
 邮编: 201802  
 网址: <http://www.shyuanyi.com>

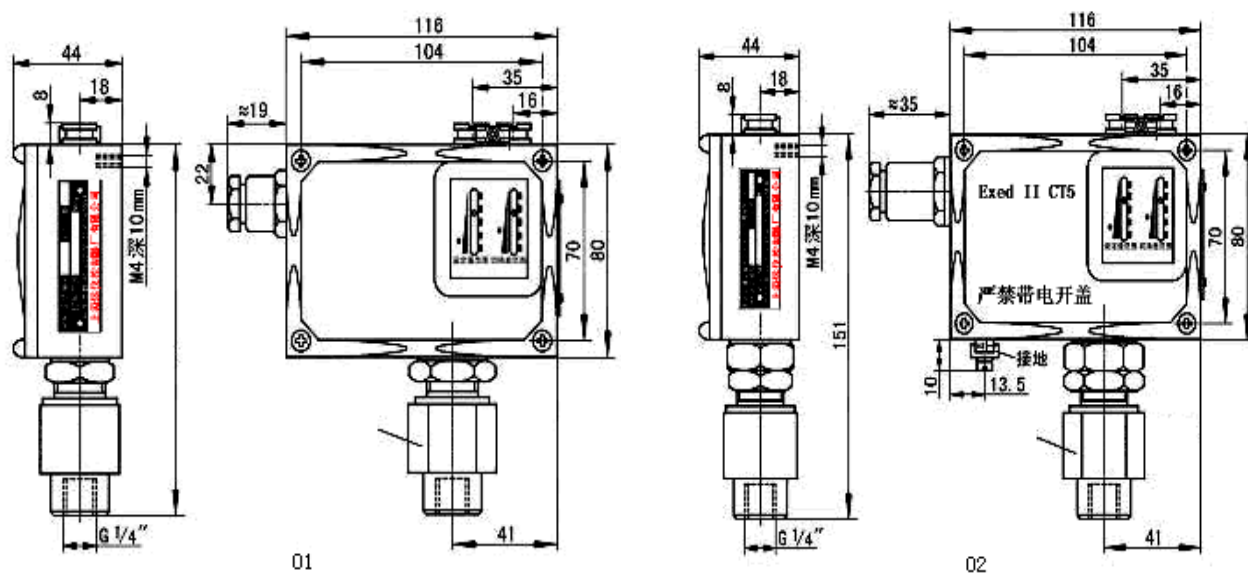
Address: NO.46, Lane 300, Shunda Road, Nanxiang Town, Jiading District, Shanghai, China  
 Tel: (021) 56325599 56983311 69927271  
 Fax: (021) 69927273  
 PostCode: 201802  
 Mail: [market@shyuanyi.com](mailto:market@shyuanyi.com)



Type	Adjustable Range MPa	Switching pressure difference		Max. Allowable Pressure *MPa	Number of switching cycles Z(1/min)	Pressure sensor materials		Connection (internal thread)	Total Weight kg	Dimensional Drawing No.	Cat No.
		Lower range MPa	Upper Range MPa			Housing	piston				
D504/7DK	0.3□4	0.1	0.3	16	30	brass	steel	G1/4"	0.9	01	0817207
	0.3□6.3	0.15	0.5	16				G1/4"	0.9		
	0.5□10	0.3	0.7	30				G1/4"	0.9	01	0817407
	0.5□16	0.4	1	30				G1/4"	0.9		
1□25	0.6	1.5	80	G1/4"	0.9	01	0817607				
1□40	0.7	1.8	80	G1/4"	0.9						

Remark: Even short pressure peaks must not exceed this value (=max. test pressure).

Dimensional drawing Units: mm



Switch selection and mounting instructions

Setting of the switching points

Accessories

Alternative Cat. No.: 0574767、0574772、0574773, SC5. 470. 505