



Pressure Switches
Model: D511/7D、D511/7DK



上海远仪控制器厂有限公司

Tel: (021)56325599 56983311 69927271

Fax:69927273 <http://www.shyuanyi.com>

Explosion-proof Pressure Switches
Model: D511/7D (EX)

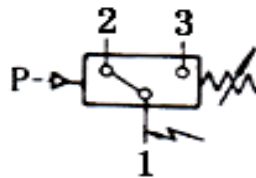


上海远仪控制器厂有限公司

Tel: (021)56325599 56983311 69927271

Fax:69927273 <http://www.shyuanyi.com>

The sensor is bellow type, and is suitable for corrosive gas and liquid medium. The setting of switch is adjustable, and the range is from -0.1 to 6.3MPa.



Switching Function:

Micro-switch SPDT

Terminals 1-3:Contacts close on rising pressure

Terminals 1-2:Contacts open on rising pressure

Main Technical Performance

	General Type	Explosion-proof Type
Working viscosity	<1×10 ⁻³ m ² /s	<1×10 ⁻³ m ² /s
Switching element	Micro-switches	Micro-switches
Explosion Class	—	ExedIICT5 Certificate No: 2073002X
Protection Class	IP65	IP54
Ambient temperature	-40℃~+50℃	-40℃~+50℃
Fluid temperature	0~90℃	0~90℃
Mounting position		Vertical down
Vibrations	D511/7D: 40m/s ² D511/7DK: 20m/s ²	Max: 20m/s ²
Repeatability	≤1%	≤1%
Electrical rating	AC220V 6A (Resistance)	DC 250V 0.25A (Resistance) 60Wmax DC 250V 5A (Resistance) 1250VAmax

Features

Wide range of temperature and suitable for corrosive medium

Characteristic date



● D511/7D Switching pressure difference no adjustable

Adjustable Range MPa	Switching pressure difference		Max. Allowable Pressure *MPa	Number of switching cycles Z(1/min)	Pressure sensor materials		Interface external thread	Weight kg	Drawing No.		Cat No.	
	Lower range MPa	Upper Range MPa			Housing	Bellow			General Type	Explosion proof type	General Type	Explosion proof type
-0.1...0	0.006	0.007	1	20	In contact with the media, all the components are of stainless steel bellow 00Gr17Ni14M02 (316L) The other: 1Cr18Ni9Ti		G1/2"	1.0	01	04	0810111	0850181
-0.1...0.1	0.007	0.008	1				G1/2"	1.0	01	04	0810211	0850281
-0.1...0.16	0.008	0.009	1				G1/2"	1.0	01	04	0810311	0850381
-0.1...0.25	0.009	0.012	1				G1/2"	1.0	01	04	0810411	0850481
0...0.1	0.007	0.008	1				G1/2"	1.0	01	04	0811111	0851181
0...0.16	0.008	0.009	1				G1/2"	1.0	01	04	0811211	0851281
0.01...0.25	0.009	0.01	1				G1/2"	1.0	01	04	0811311	0851381
0.02...0.4	0.03	0.03	2				G1/2"	0.85	02	05	0811411	0851481
0.03...0.6	0.03	0.035	2				G1/2"	0.85	02	05	0811511	0851581
0.03...1	0.03	0.04	2				G1/2"	0.85	02	05	0811611	0851681
0.05...1.6	0.07	0.08	5				G1/2"	0.9	03	06	0811711	0851781
0.05...2.5	0.07	0.09	5				G1/2"	0.9	03	06	0811911	0851881
0.3...6.3	0.1	0.2	8.5				G1/2"	0.9	03	06	0811911	0851981

● D511/7D Switching pressure difference adjustable

Adjustable Range MPa	Switching pressure difference		Max. Allowable Pressure *MPa	Number of switching cycles Z(1/min)	Pressure sensor materials		Interface external thread	Weight kg	Drawing No.		Cat No.	
	Lower range MPa	Upper Range MPa			Housing	Bellow			General Type	Explosion proof type	General Type	Explosion proof type
-0.1...0	0.018...0.08	0.019...0.08	1	20	In contact with the media, all the components are of stainless steel bellow 00Gr17Ni14M02 (316L) The other: 1Cr18Ni9Ti		G1/2"	1.05	01	04	0800111	0840181
-0.1...0.1	0.019...0.1	0.021...0.1	1				G1/2"	1.05	01	04	0800211	0840281
-0.1...0.16	0.02...0.2	0.022...0.2	1				G1/2"	1.05	01	04	0800311	0840381
-0.1...0.25	0.022...0.08	0.024...0.08	1				G1/2"	1.05	01	04	0800411	0840481
0...0.1	0.015...0.08	0.016...0.08	1				G1/2"	1.05	01	04	0801111	0841181
0...0.16	0.018...0.1	0.02...0.1	1				G1/2"	1.05	01	04	0801211	0841281
0.01...0.25	0.02...0.2	0.024...0.25	1				G1/2"	1.05	01	04	0801311	0841381
0.02...0.4	0.08...0.25	0.08...0.25	2				G1/2"	0.9	02	05	0801411	0841481
0.03...0.6	0.08...0.5	0.09...0.5	2				G1/2"	0.9	02	05	0801511	0841581
0.03...1	0.09...0.8	0.1...0.8	2				G1/2"	0.9	02	05	0801611	0841681
0.05...1.6	0.17...1.2	0.19...1.2	5				G1/2"	0.95	03	06	0801711	0841781
0.05...2.5	0.18...2	0.2...2	5				G1/2"	0.95	03	06	0801911	0841881
0.3...6.3	0.25...2	0.65...2	8.5				G1/2"	0.95	03	06	0801911	0841981

● D511/7D Switching pressure difference no adjustable- Small switching difference (No Explosion-proof Type)

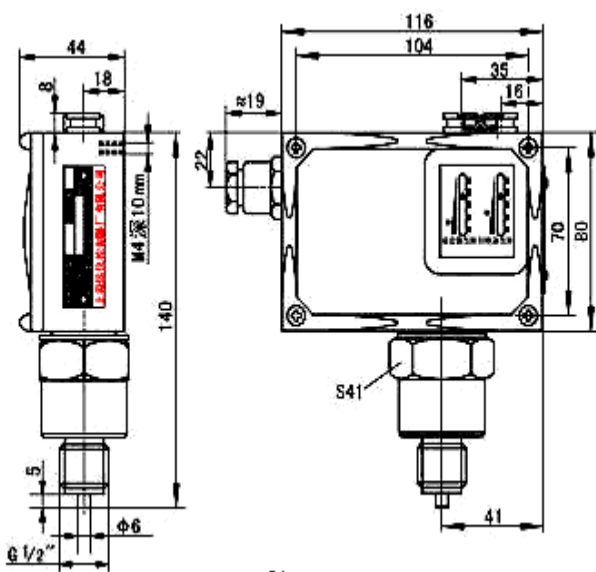
Adjustable Range MPa	Switching pressure difference		Max. Allowable Pressure *MPa	Number of switching cycles Z(1/min)	Pressure sensor materials		Interface external thread	Weight kg	Drawing No.	Cat No.
	Lower range MPa	Upper Range MPa			Housing	Bellow				
-0.1...0	0.003	0.0045	1	20	In contact with the media, all the components are of stainless steel bellow 00Gr17Ni14M02 (316L) The other: 1Cr18Ni9Ti		G1/2"	1.0	01	0810113
-0.1...0.1	0.003	0.005	1				G1/2"	1.0	01	0810213
-0.1...0.16	0.003	0.0065	1				G1/2"	1.0	01	0810313
-0.1...0.25	0.045	0.01	1				G1/2"	1.0	01	0810413
0...0.1	0.003	0.0045	1				G1/2"	1.0	01	0811113
0...0.16	0.003	0.006	1				G1/2"	1.0	01	0811213
0.01...0.25	0.0045	0.007	1				G1/2"	1.0	01	0811313
0.02...0.4	0.012	0.016	2				G1/2"	0.85	02	0811413
0.03...0.6	0.015	0.02	2				G1/2"	0.85	02	0811513
0.03...1	0.018	0.03	2				G1/2"	0.85	02	0811613
0.05...1.6	0.03	0.05	5				G1/2"	0.9	03	0811713
0.05...2.5	0.03	0.06	5				G1/2"	0.9	03	0811813
0.3...6.3	0.06	0.12	8.5				G1/2"	0.9	03	0811813

Remark: Even shot pressure peaks must not exceed this value (=max.test pressure)

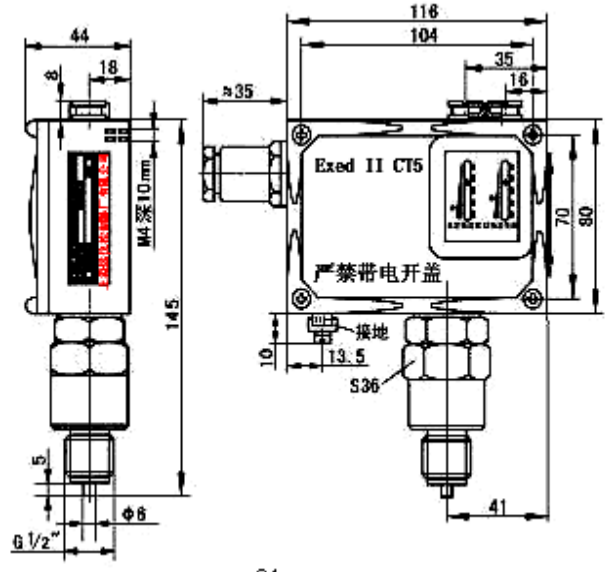
□ Switch selection and mounting instructions



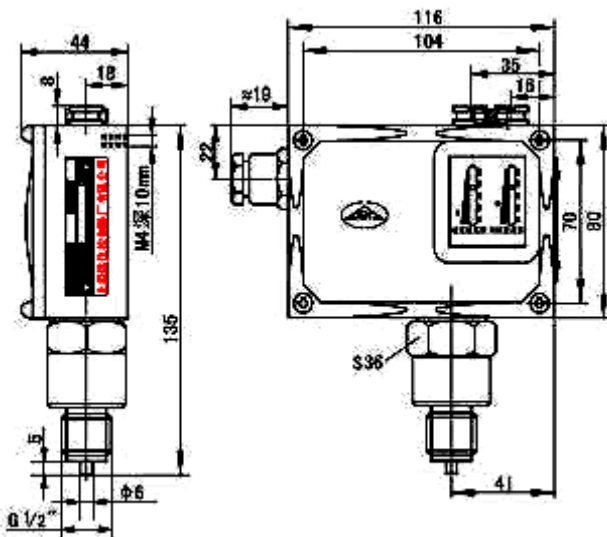
□ Dimensional drawing Units: mm



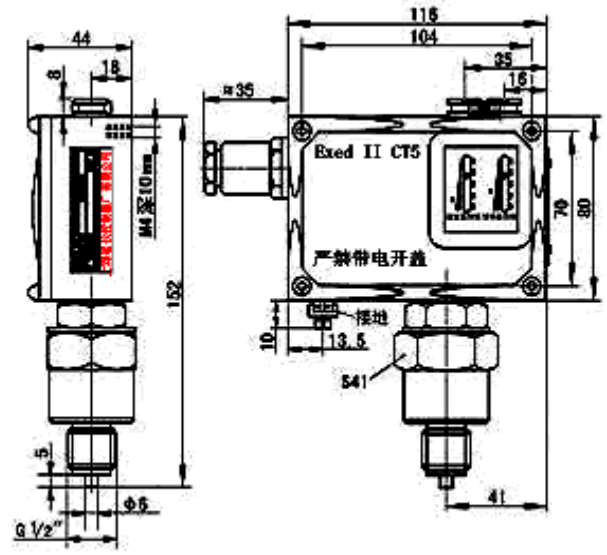
01



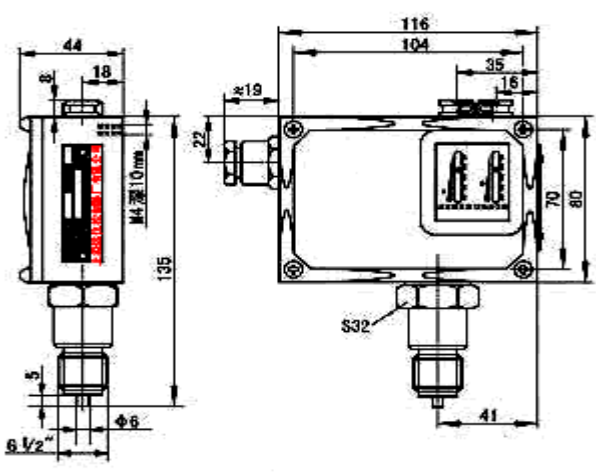
04



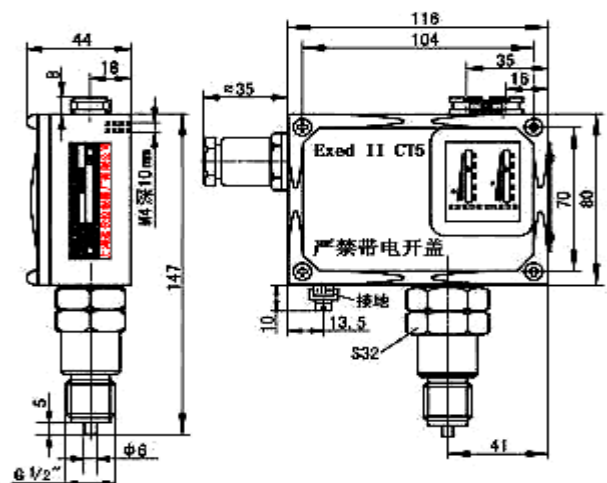
02



05



03



06