



# FLOW SWITCH

## Model LKB-01

LKB-01 works in liquid fluids of water、refrigerants. ON/OFF action of the switch is very definite , owing to the paddle style flow sensor.



### □ Characteristic Data

NO.	Adjustable Range (L/min)	Difference Range (L/min)	Deviation Less	Pipe Dia.		Type of Paddle	Pressure Resistance (MPa)	Weight (Kg)
				in	mm			
1	20... 48	8	1. 1	1	25	1	1. 6	0. 5
2	34... 100	10	2. 6	1 1/4	32	1		
3	65... 160	14	3. 8	1 1/2	40	1		
4	120... 280	26	6. 4	2	50	1		
5	210... 550	18	4. 0	2	50	2		
6	380... 750	20		2 1/2	70	1		
7	40... 140	18		2 1/2	70	2		
8	110... 340	15		3	80	1		
9	180... 470	18		3	80	2		
10	350... 920	20		3	80	3		
11	115... 220	20		4	100	2		
12	210... 590	20		4	100	3		
13	380... 1200	40		5	125	3		
14	550... 1800	80		6	150	3		

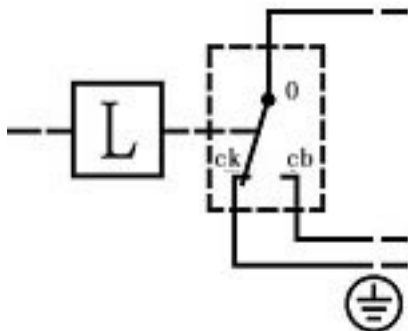
### □ Technical Data

Work Temperature: 5~80°C

Setting Value: 20~2000 L/min

Contact Capability: 220V, 3A, AC

### □ Switch Function: Microswitch SPDT

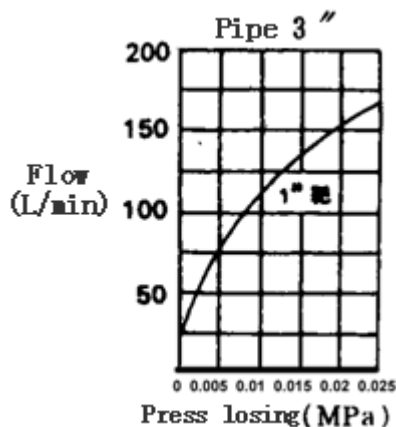
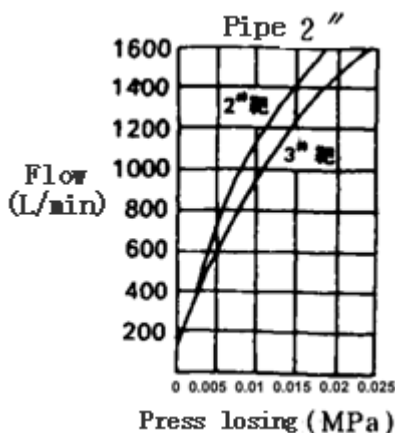
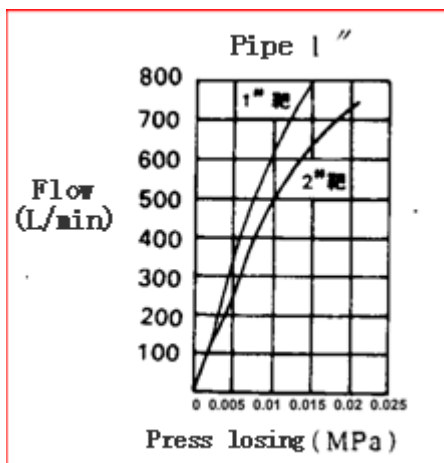


Terminals 0-cb: Contacts close on rising flow;

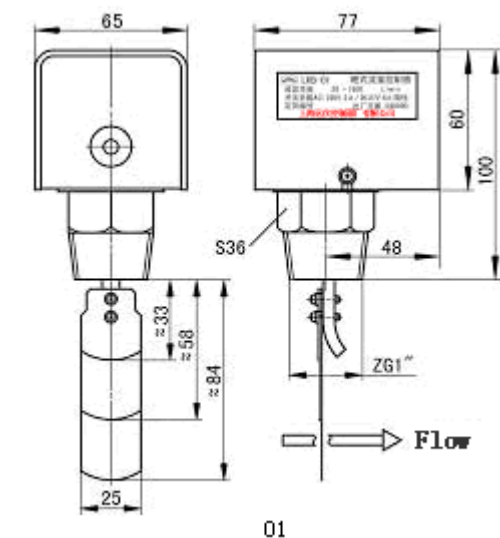
Terminals 0-ck: Contacts open on rising flow;



### □ 压力损失特性曲线



### □ Dimensional Diagram : (mm)



### □ Installation

1. Choose the suitable paddle from the related list according to the amount of flow and the size of pipes, then install it on the sway-bar.
2. Wire some polytetrafluorethylene band on the connector, then screw this switch tight in it to ensure a good encapsulation. At the same time, notice to make the arrow as shown on the enclosure be the same direction with water flow.
3. Open the enclosure, connect the circuit according to the requirement. Adjust the motion value according to the operation conditions.
4. Be careful with the notice at installation and attach a guide-pipe of 10 D (pipe diameter) before this Switch.

